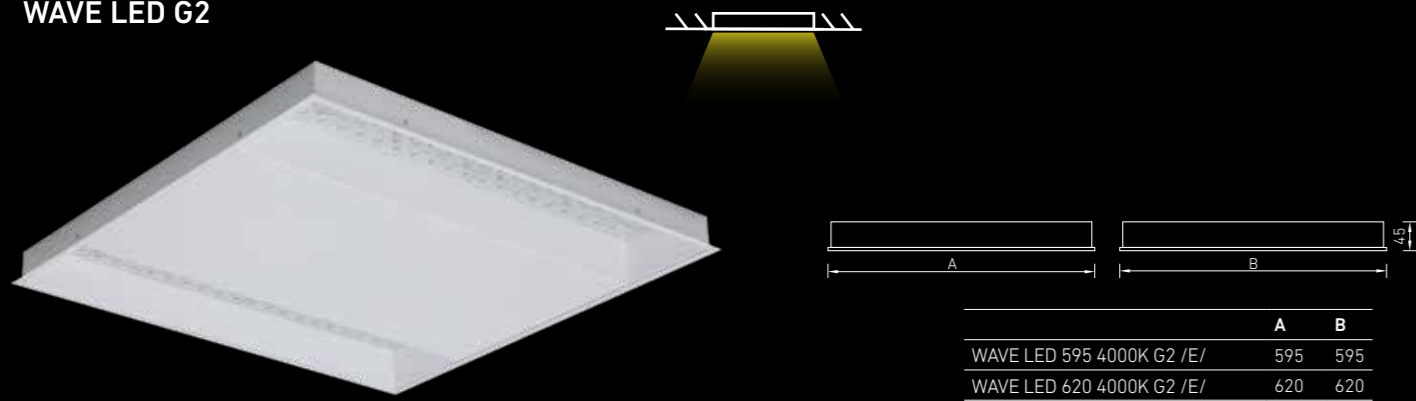


## WAVE LED G2



	A	B
WAVE LED 595 4000K G2 /E/	595	595
WAVE LED 620 4000K G2 /E/	620	620

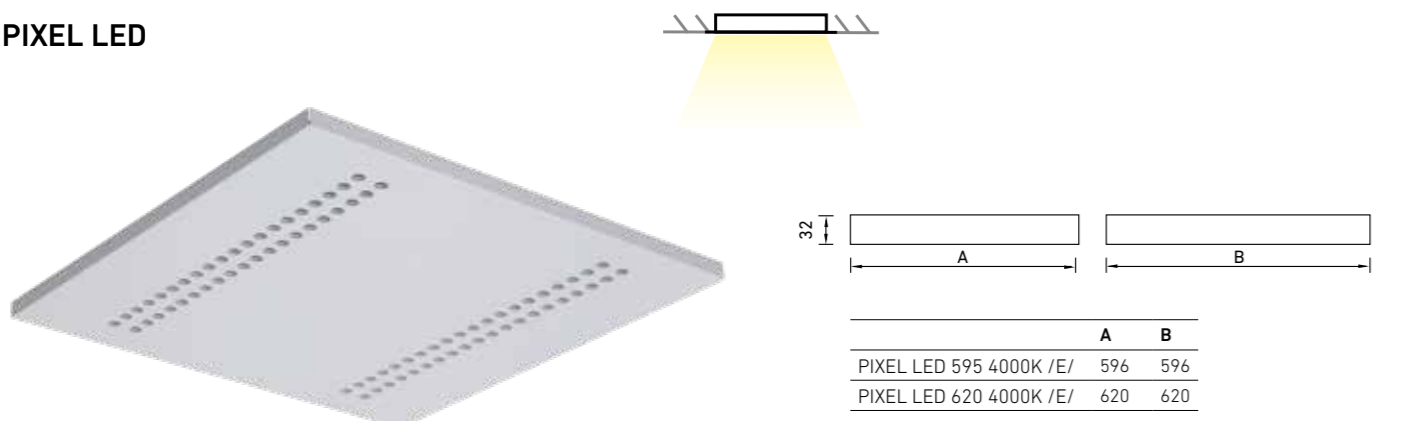
LED luminaires for offices and educational institutions. Thanks to the design and location of the optical part, as well as the use of lenses with a scattering angle 60 degrees, WAVE LED G2 luminaires have both high performance in efficiency up to 120 lm/W and unified glare rating UGR<16. Modifications with three or two light stripes, as well as different type of ceiling systems and edges, dimensions, power and color temperature are available on request.

Recessed into Armstrong type suspended ceilings with a width of the supporting T-profile of 15 mm or 24 mm.

Name	lm	W	lm/W	Kg	Code
WAVE LED 595 4000K G2 /E/	3300	28	120	4	1997031820
WAVE LED 620 4000K G2 /E/	3300	28	120	4	1997031830



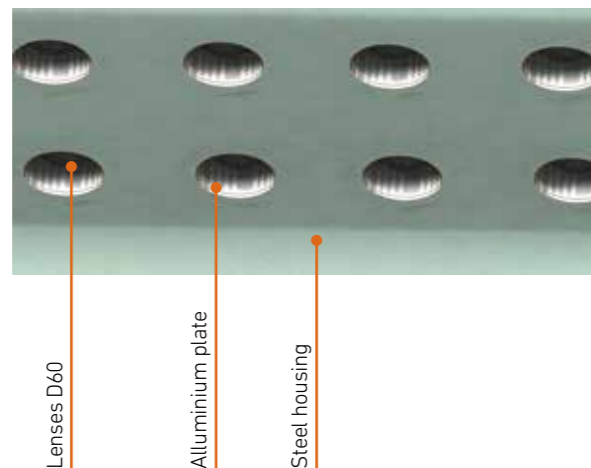
## PIXEL LED



	A	B
PIXEL LED 595 4000K /E/	596	596
PIXEL LED 620 4000K /E/	620	620

LED luminaires for offices and educational institutions. The optical system is based on two lenses D60 and D90, masked by aluminum plate and steel housing. The light sources are maximally hidden from the observer and the unified glare rating is less than 13 (UGR <13).

Name	lm	W	lm/W	Kg	Code
PIXEL LED 595 2L D60 B 4000K /E/	3200	30	107	4,0	1997037300
PIXEL LED 595 2L D60 W 4000K /E/	3200	30	107	4,0	1997037320
PIXEL LED 595 2L D90 B 4000K /E/	3200	30	107	4,0	1997037340
PIXEL LED 595 2L D90 W 4000K /E/	3200	30	107	4,0	1997037360
PIXEL LED 595 3L D60 B 4000K /E/	3400	30	115	4,0	1997037380
PIXEL LED 595 3L D60 W 4000K /E/	3400	30	115	4,0	1997037400
PIXEL LED 595 3L D90 B 4000K /E/	3400	30	115	4,0	1997037420
PIXEL LED 595 3L D90 W 4000K /E/	3400	30	115	4,0	1997037440



**Sales in the EU:**  
**Lighting Technologies Europe GmbH**  
 Fraunhoferstrasse 7, 85737 Ismaning, Germany  
 T +49 89 550 59 86 11  
 eu.sales@LTcompany.com

**Lighting Technologies Europe GmbH**  
 Alte Duisburger Strasse 11, 47119 Duisburg, Germany  
 T +49 173 637 4552  
 eu.sales@LTcompany.com

**Sales & Production in Spain:**  
 Lighting Technologies TRQ, S.L.U. Avda. Pio XII, 38, 12500 Vinaros, Spain  
 T +34 (964) 404 024  
 info@trqsl.com www.trqsl.com

**Sales & Production in Russia:**  
 LLC "Lighting Technologies IGC"  
 #2B bld. 7, Otrdnaya Str.,  
 127273, Moscow, Russia  
 T +7 (495) 995 55 95  
 export.sales@LTcompany.com

LLC "Lighting Technologies IGC"  
 #11, build. A, Magistralnaya Str.,  
 390010, Ryazan, Russia  
 T +7 (495) 995 55 95  
 info@rzn.LTcompany.com

**Sales & Production in India:**  
 Lighting Technologies India Pvt. Ltd.  
 MC Junction, No. 201, 3rd Main, Kasturi Nagar, Bangalore,  
 560043, India  
 T +91 (991) 638 03 99  
 india@LTcompany.com



[www.LTcompany.com/en/](http://www.LTcompany.com/en/)

**Sales in Kazakhstan:**  
 "Lighting Technologies Kazakhstan" LLP  
 #905/906, 4, Bejbitshilik,  
 010000, Nur-Sultan, Kazakhstan  
 T +7 (717) 279 76 40  
 astana@LTcompany.com

**Sales & Production in Ukraine:**  
 "Vitava" Company" Ltd.  
 6, Vladimira Sosiury Str.,  
 02090, Kiev, Ukraine  
 T +38 (044) 585 47 88  
 info@kiev.LTcompany.com

"Vitava" Company" Ltd.  
 8, Entuziastov Avenue,  
 07100, Slavutich, Ukraine  
 T +38 (044) 585 47 88  
 info@slv.LTcompany.com



**COMMERCIAL OFFICE**

## PTF/R UNI LED



	A	B
PTF/R UNI LED 595 4000K	595	595
PTF/R UNI LED 620 4000K	595	595
PTF/R UNI LED 1200 4000K	1195	295

Luminaire is designed on the base of LED modules and cylindrical PMMA diffusers that imitate the look of T8 fluorescent lamps. The louver creates soft illumination and ensures a comfort light with UGR < 19.

Name	lm	W	lm/W	Kg	Code
PTF/R UNI LED 595 4000K /E/	3800	30	127	4,3	1997018160
PTF/R UNI LED 595 EM 4000K /E/	3800	32	100	4,8	1997031740
PTF/R UNI LED 1200 4000K /E/	4000	30	133	4,2	1997030710
PTF/R UNI LED 1200 EM 4000K /E/	4000	30	100	4,6	1997031720



## PRB/R UNI LED



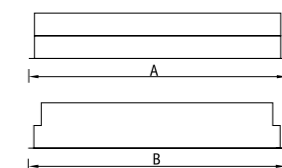
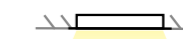
	A	B
PRB/R UNI LED 595	595	595
PRB/R UNI LED 620	595	595
PRB/R UNI LED 1200	1195	295

Recessed LED luminaire for office and education premises. Parabolic Alano aluminum louver ensures optimal light distribution, high efficiency and UGR < 19.

Name	lm	W	lm/W	Kg	Code
PRB/R UNI LED 595 4000K /E/	3800	30	127	4,3	1997018050
PRB/R UNI LED 620 4000K /E/	3800	30	127	5,3	1997013220
PRB/R UNI LED 1200 4000K /E/	3800	30	127	5,3	1997028450



## ARS/R UNI LED



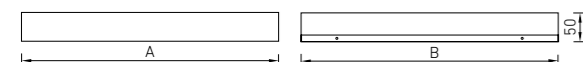
	A	B
ARS/R UNI LED 300 4000K	595	295
ARS/R UNI LED 595 4000K	595	595
ARS/R UNI LED 620 4000K	595	595
ARS/R UNI LED 1200 4000K	1195	295

Recessed LED offices luminaire with V-shaped louver. Diffuser made of PMMA covers linear LED modules provides additional light comfort and UGR < 19.

Name	lm	W	lm/W	Kg	Code
ARS/R UNI LED 300 4000K /E/	1900	16	94	2,8	1997014640
ARS/R UNI LED 595 4000K /E/	3600	30	127	3,8	1997014650
ARS/R UNI LED 620 4000K /E/	3600	30	127	3,8	1997013210
ARS/R UNI LED 1200 4000K /E/	3700	30	127	4,0	1997014630



## OPTIMA ECO LED



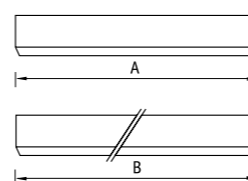
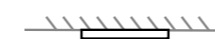
	A	B
OPTIMA.PRS ECO LED 595	596	596
OPTIMA.PRS ECO LED 620	620	620

Optimal solution for educational, office and administrative institutions. Universal housing for recessed installation in Armstrong type ceilings and surface mounting. OPTIMA ECO LED is a direct replacement of 4x18 conventional luminaires. Screw less diffuser fastening. Prismatic (PRS) version has UGR<19, opal modifications are possible. Thanks to simple design and wide selection of sizes OPTIMA ECO LED are in high demand in any project.

Name	lm	W	lm/W	Kg	Code
OPTIMA.PRS ECO LED 595 4000K /E/	4800	40	120	3,5	1997031400
OPTIMA.PRS ECO LED 620 4000K /E/	5000	40	125	3,5	1997031210



## PRB/S UNI LED



	A	B
PRB/S UNI LED 600 4000K	610	625
PRB/S UNI LED 1200 4000K	1228	309



Surface mounted LED luminaire for office and education premises. Parabolic louver made of Alano aluminum creates soft and high efficient light and ensures UGR < 19.

Name	lm	W	lm/W	Kg	Code
PRB/S UNI LED 600 4000K /E/	3800	30	127	5,0	1997018060
PRB/S UNI LED 1200 4000K /E/	3700	30	127	5,2	1997032340



## ARS/S UNI LED



	A	B
ARS/S UNI LED 600 4000K	625	610
ARS/S UNI LED 1200 4000K	1225	310



Surface mounted LED luminaire with V-shaped louver. High efficiency and comfort light with UGR < 19 are ensured by a PMMA diffuser installed on LED modules.

Name	lm	W	lm/W	Kg	Code
ARS/S UNI LED 600 4000K /E/	3600	30	120	4,8	1997014670
ARS/S UNI LED 1200 4000K /E/	3700	30	123	5,2	1997014660

